



NJ 220 ECML

- SKF Explorer

Cylindrical roller bearings, single row

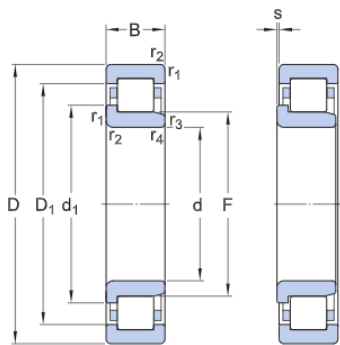
Bearing data

Tolerances,
Normal (metric), P6, Normal (inch),
Radial internal clearance,
cylindrical bore, tapered bore,
Axial internal clearance,
NUP, NJ + HJ

Bearing interfaces

Seat tolerances for standard
conditions,
Tolerances and resultant fit

Technical specification

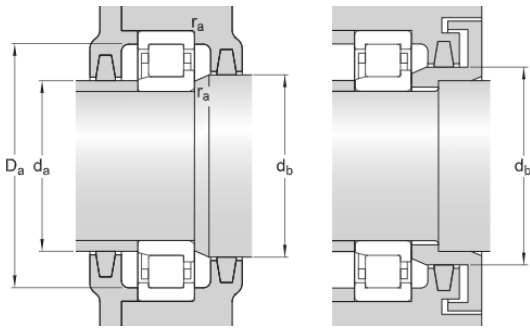


DIMENSIONS

d	100 mm	Bore diameter
D	180 mm	Outside diameter
B	34 mm	Width
d1	≈127 mm	Shoulder diameter of inner ring
D1	≈156.4 mm	Shoulder diameter of outer ring
F	119 mm	Chamfer dimension of loose flange ring
r1,2	min.2.1 mm	Chamfer dimension
r3,4	min.2.1 mm	Chamfer dimension
s	max.1.7 mm	Permissible axial displacement

ABUTMENT DIMENSIONS

da	min.113 mm	Diameter of spacer sleeve
da	max.116 mm	Diameter of spacer sleeve
db	min.130 mm	Diameter of shaft abutment
	max.167.5 mm	Diameter of



Da	mm	housing abutment
ra	max.2 mm	Radius of fillet

CALCULATION DATA

Basic dynamic load rating	C	285 kN
Basic static load rating	C ₀	305 kN
Fatigue load limit	P _u	36.5 kN
Reference speed		4 000 r/min
Limiting speed		6 700 r/min
Minimum load factor	k _r	0.23
Limiting value	e	0.2
Axial load factor	Y	0.6

MASS

Mass	3.86 kg
------	---------

ASSOCIATED PRODUCTS

Angle ring	HJ 220 EC
------------	-----------